

SEADOO DI FUEL PUMP INSTRUCTIONS



Tools needed for this job:
Drill and a 1/8 bit
Needle nose pliers
Riveting tool
Screwdriver



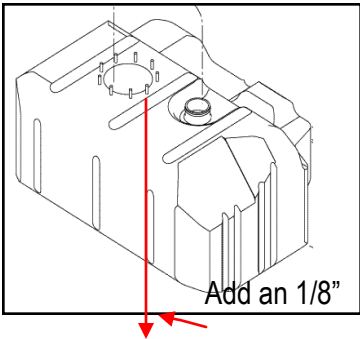
6. Install fuel filter to fuel pump with rubber adapter and retaining clip.



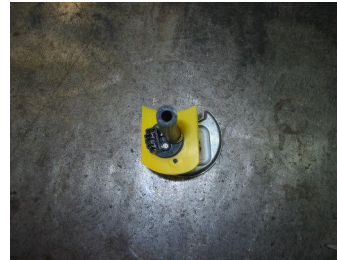
1. Remove fuel pump module per manual.



7. Install pump to base, push filter to seat in base.



2. Measure from the top of the fuel tank where the fuel pump module mounts including the rubber gasket. Add 1/8" and make note of the measurement for later use.



8. Install fuel pump support over top of pump..



3. Disassemble module by pinching clips, unplug fuel pump and sending unit using needle nose pliers.



9. Cut housing 5" from bottom of housing, 2" wide on side for access later.

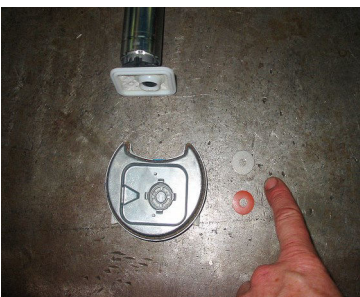
10. Install fuel pump to module and rivet base to module, plug in fuel pump and sending unit.



4. Drill 1/8" rivets from module base, remove base and fuel pump.



11. Install fuel hose to pump and regulator. Adjust housing to premeasured dimension and tighten hose clamp.



5. Remove fuel pump from base. Rubber gasket goes in first then metal washer.



12. Re-install module to PWC per manual.